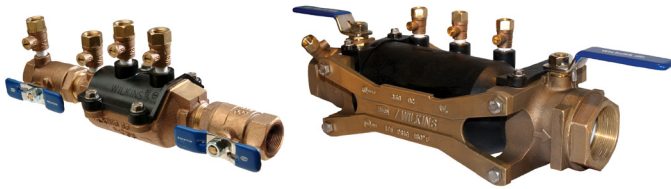


**SPECIFICATION SUBMITTAL SHEET**



**FEATURES**

- Sizes:  3/4"  1"  1-1/4"  1-1/2"  2"  
 Maximum working water pressure 175 PSI  
 Maximum working water temperature 180°F  
 Hydrostatic test pressure 350 PSI  
 End connections Threaded ANSI B1.20.1

**OPTIONS**

- (Suffixes can be combined)
- with full port QT ball valves (standard)
  - L - less ball valves, male pipe thread
  - XL - with low lead ball valves (See 350XL)
  - S - with bronze "Y" type strainer
  - SH - with stainless steel handles
  - FT - with integral male 45° flare SAE test fitting
  - BOF - with Blow-Out / Flush fitting

**ACCESSORIES**

- Repair kit
- Thermal expansion tank (Model XT)
- QT-SET Quick Test Fitting Set
- Test Cock Lock (Model TCL24)
- Winterizing Blow-Out/Flush fitting (RK34-350BOF, RK1-350BOF or RK114-350-375BOF)

**APPLICATION**

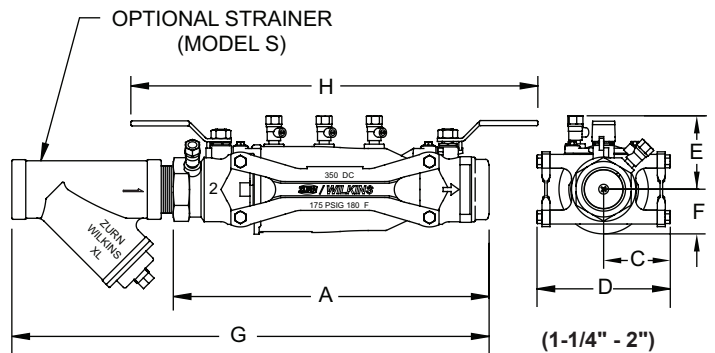
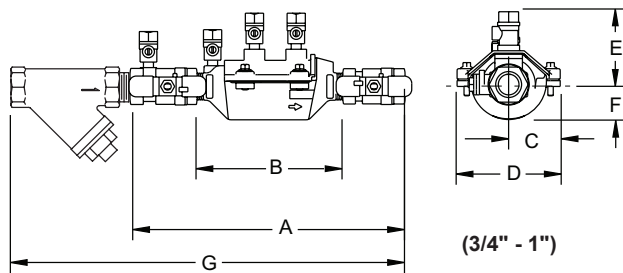
Designed for installation on water lines to protect against both backsiphonage and backpressure of polluted water into the water supply. Assembly shall provide protection where a potential health hazard does not exist.

**STANDARDS COMPLIANCE (Horizontal & Vertical)**

- ASSE® Listed 1015
- IAPMO® Listed
- CSA® Certified B64.5
- AWWA Compliant C510
- Approved by the Foundation for Cross Connection Control and Hydraulic Research at the University of Southern California
- UL® Classified (less shut-off valves only)
- C-UL® Classified (less shut-off valves only)

**MATERIALS**

- Main valve body Cast Bronze, ASTM B 584 (3/4-1")
- Housing Reinforced Nylon
- Fasteners Stainless Steel, 300 Series
- Elastomers Silicone (FDA Approved)  
Buna Nitrile (FDA Approved)
- Internals Delrin, NSF Listed
- Springs Stainless Steel, 300 series
- Ball Valves Cast Bronze, ASTM B 584
- Struts Forged Brass ASTM B 124

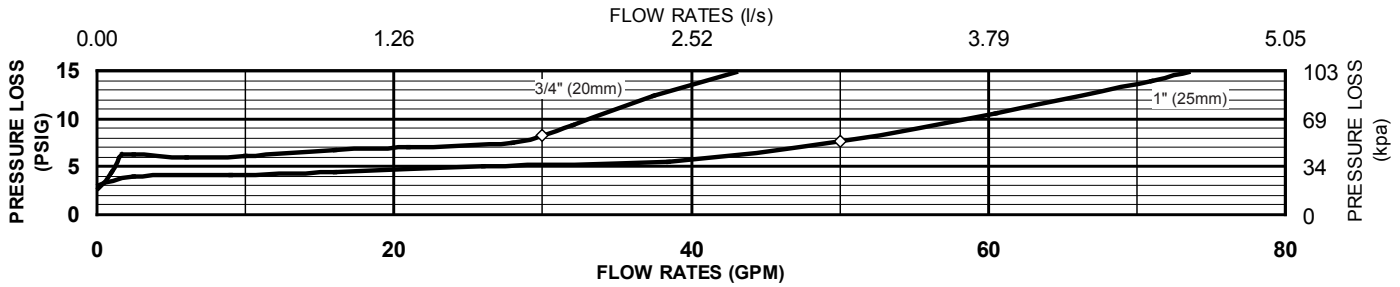


**DIMENSIONS & WEIGHTS (do not include pkg.)**

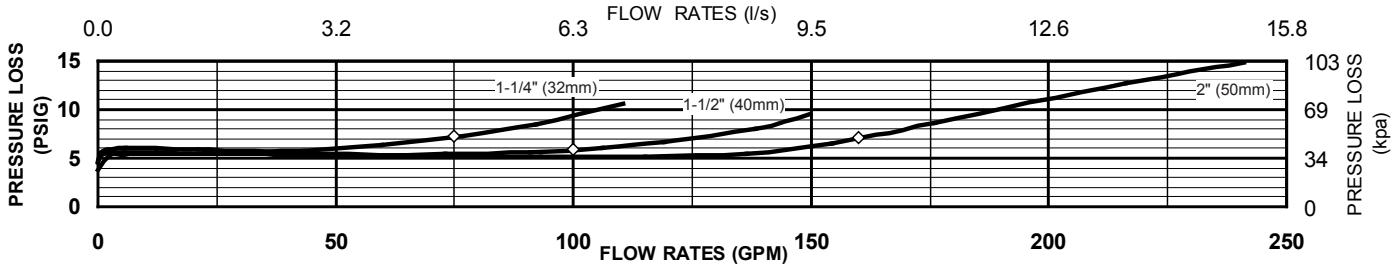
MODEL 350 SIZE	DIMENSIONS (approximate)																WEIGHT				
	A		B LESS BALL VALVES		C		D		E		F		G		H		LESS BALL VALVES		WITH BALL VALVES		
	in.	mm	in.	mm	in.	mm	in.	mm	in.	mm	in.	mm	in.	mm	in.	mm	lbs.	kg	lbs.	kg	
3/4	20	11	279	6 5/8	168	1 7/8	48	3 3/4	95	3	76	1 1/4	32	15 1/8	384	11 7/16	291	2.3	1.0	4.3	2.0
1	25	12 1/4	311	7	178	2 1/16	52	4 1/8	105	3 1/4	83	1 3/4	45	17	431	12 5/16	313	3.0	1.4	6.0	2.7
1-1/4	32	14 7/8	378	14 3/8	367	3 3/8	86	6 3/4	171	3 3/4	95	2 1/4	57	20 1/2	521	18 1/2	470	17.2	7.8	19	8.6
1-1/2	40	15 1/4	387	14 3/8	367	3 3/8	86	6 3/4	171	3 3/4	95	2 1/4	57	22	559	20 1/4	514	17	7.7	20	9.1
2	50	16	406	14 3/8	367	3 3/8	86	6 3/4	171	3 3/4	95	2 1/4	57	24	609	20 3/4	527	18	8.2	22	10

## FLOW CHARACTERISTICS

### MODEL 350, 350XL 3/4" & 1" (STANDARD & METRIC)



### MODEL 350, 350XL 1-1/4", 1-1/2" & 2" (STANDARD & METRIC)

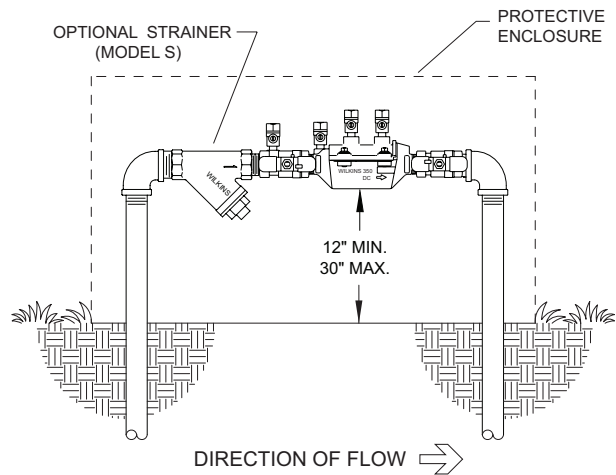
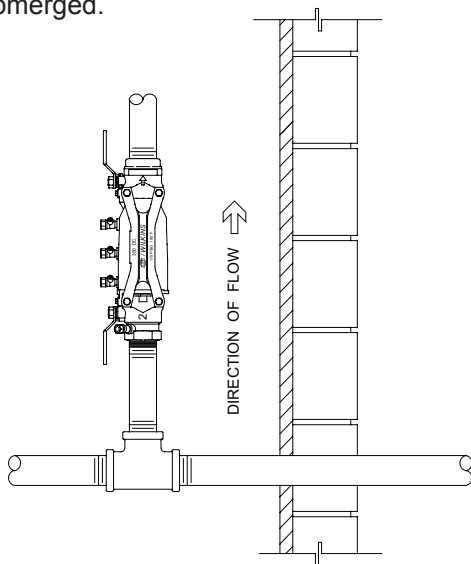


◇ Rated Flow (Established by approval agencies)

## TYPICAL INSTALLATION

Local codes shall govern installation requirements. To be installed in accordance with the manufacturers' instructions and the latest edition of the Uniform Plumbing Code. Unless otherwise specified, the assembly shall be mounted at a minimum of 12" (305mm) and a maximum of 30" (762mm) above adequate drains with sufficient side clearance for testing and maintenance. If installed below grade, be certain adequate drainage is provided to prevent the device from being submerged.

Capacity thru Schedule 40 Pipe				
Pipe size	5 ft/sec	7.5 ft/sec	10 ft/sec	15 ft/sec
1/2"	5	7	9	14
3/4"	8	12	17	25
1"	13	20	27	40
1 1/4"	23	35	47	70
1 1/2"	32	48	63	95
2"	52	78	105	167



## SPECIFICATIONS

The Double Check Valve Backflow Preventer shall be ASSE® Listed 1015, rated to 180°F and supplied with full port ball valves. The main body shall be Bronze for sizes 3/4" & 1", and Nylon for sizes 1-1/4" to 2". The housing shall be reinforced Nylon and the seat disc elastomers shall be silicone (FDA Approved). The first and second checks shall be accessible for maintenance without removing the device from the line. The Double Check Valve Backflow Preventer shall be a WILKINS Model 350.

WILKINS a Zurn company, 1747 Commerce Way, Paso Robles, CA 93446 Phone: 805-238-7100 Fax: 805-238-5766

IN CANADA: ZURN INDUSTRIES LIMITED, 3544 Nashua Dr., Mississauga, Ontario L4V 1L2 Phone: 905-405-8272 Fax: 905-405-1292

Product Support Help Line: 877-BACKFLOW (877-222-5356) • Website: <http://www.zurn.com>