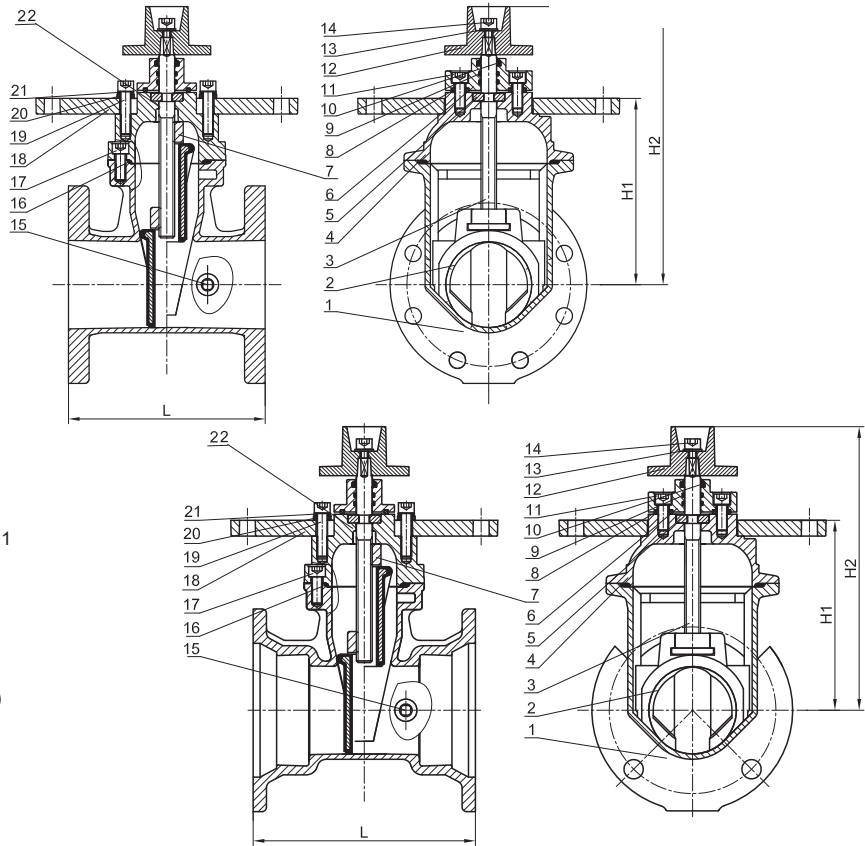


**AWWA C515
Resilient Seat
POST INDICATOR
GATE VALVES**

**Model 2010-PIV
Non Rising Stem (3"-12")**



Available:
Flange Ends
MJ x MJ Ends

Description:

1. Conforms to AWWA C515
2. MJ dimensions conform to AWWA C111/A21.11
3. Flange drilling to ANSI 125/150.
4. Fusion Bond Epoxy Coated Interior and Exterior to AWWA C550 Standard.
5. Compatible with all industry standard Vertical Indicator Posts. NFPA 24.
7. Working Pressure: 2"-12" - 300 psi
8. Temperature: -10°C (-14°F) to 120°C (248°F)

MATERIAL LIST

ITEM NO.	DESCRIPTION	MATERIAL	No.	DESCRIPTION	MATERIAL
1	Body	Ductile Iron ASTM A536 65-45-12	12	Wrench Nut	Ductile Iron ASTM A536 65-45-12
2	Wedge	EPDM Encapsulated DI	13	Washer	SS ASTM 304
3	Stem	SS AISI 304	14	Hex Socket Cap Screw	ASTM SS304 GR 8.8
4	Bonnet	Ductile Iron ASTM A536 65-45-12	15	Plug	SS ASTM 304
5	Thrust Collar	Bronze ASTM C51100	16	Gasket	EPDM
6	Gland	Ductile Iron ASTM A536 65-45-12	17	Hex Socket Cap Screw	ASTM SS304 GR 8.8
7	Disc Nut	ASTM B62	18	Post Flange	Ductile Iron ASTM A536 65-45-12
8	Seat Ring	EPDM	19	Hex Socket Cap Screw	ASTM SS304 GR 8.8
9	O-Ring	EPDM	20	Washer	Carbon Steel
10	Dust Proof Cover	EPDM	21	Lock Washer	Carbon Steel
11	Hex Socket Cap Screw	ASTM SS304 GR 8.8	22	O-Ring	EPDM

Design and materials are subject to change without notice.

DIMENSIONAL DATA

Dimensions in inches

Size	Part No. (MJ x MJ)	L	H1	H2	Post Flange	Part No. (FL x FL)	L	H1	H2	Post Flange	No. of Turns to Open
3"	2010MM-PIV-130	9.5	7.59	12.00	12	2010FF-PIV-130	8	7.59	12.00	12	16
4"	2010MM-PIV-140	10	8.54	12.75	12	2010FF-PIV-140	9	8.54	12.75	12	20
6"	2010MM-PIV-160	11.5	12.28	16.84	12	2010FF-PIV-160	10.5	12.28	16.84	12	30
8"	2010MM-PIV-180	12.5	15.62	21.13	12	2010FF-PIV-180	11.5	15.62	21.13	12	20
10"	2010MM-PIV-200	14.75	19.36	25.18	12	2010FF-PIV-200	13	19.36	25.18	12	25
12"	2010MM-PIV-220	14.88	22.74	28.45	12	2010FF-PIV-220	14	22.74	28.45	12	30



WARNING: This product can expose you to chemicals including lead, which is known to the State of California to cause cancer and birth defects or other reproductive harm. For more information go to www.P65Warnings.ca.gov.



NAPAC - UNITED Distribution Centers

229 Southbridge Street, Worcester, MA 01608
Tel: (800) 807-2215 Fax: (800) 807-2214
www.napacinc.com

Jacksonville, Florida